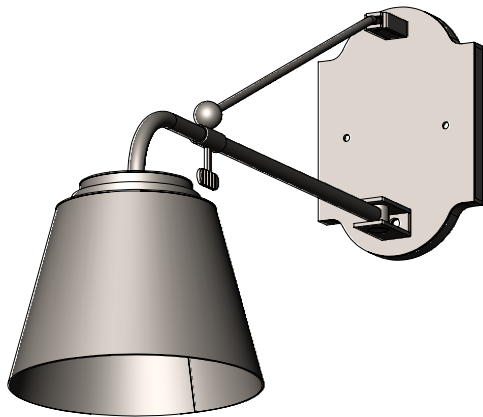
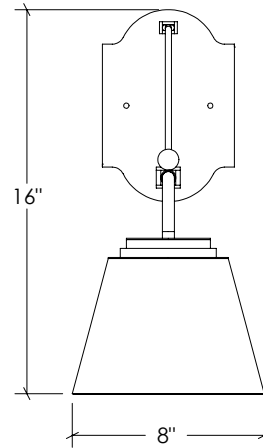


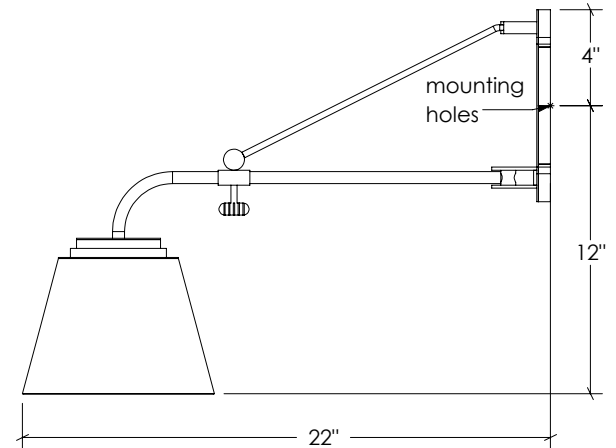
ISOMETRIC VIEW



FRONT VIEW

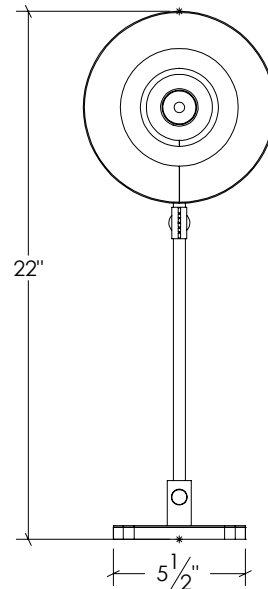


SIDE VIEW

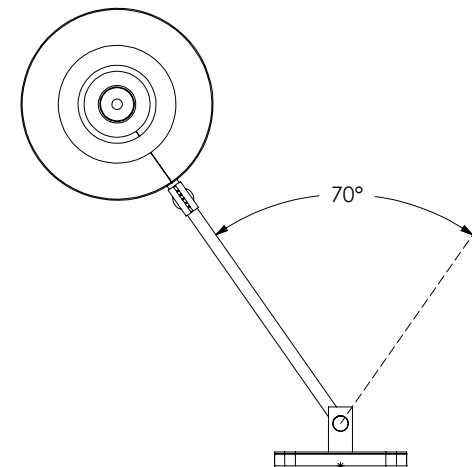


Note: 80/20 gold/silver leaf mix inside shade and satin black on the rest of the iron

BOTTOM VIEW



ALTERNATIVE POSITION



CST 3407 SC

Custom Sconce

WEIGHT:	5 lbs.
backplate:	Custom
CHAIN:	N/A
SHADE:	Custom
LENS:	N/A
LIGHT NO.:	1
BASE:	Medium (Ground Porcelain)
FINISH:	80/20 gold/silver leaf mix and satin black
ENGINEERED:	Dalia de la Torre 26/2/2020

ISOMETRIC VIEW

